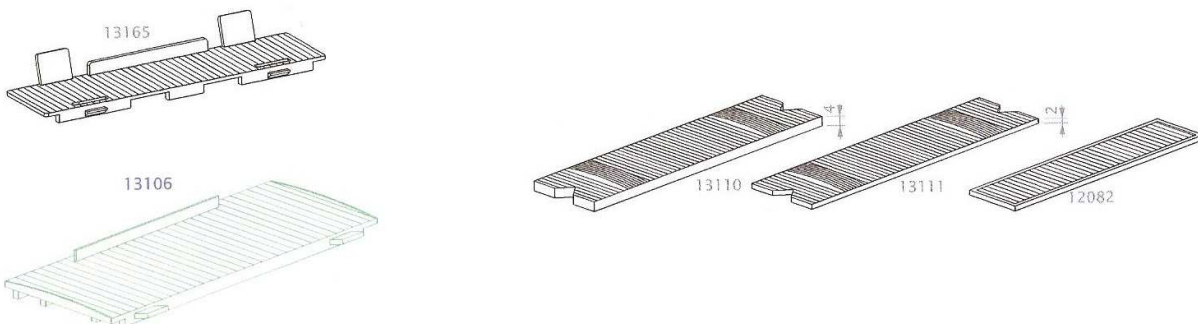


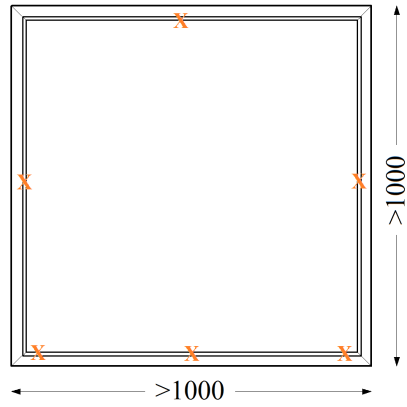
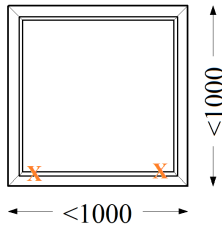
# UPVC Glazing Instructions

- 1) Remove beads using a broadknife - don't mix beads up
- 2) Pack frames as indicated **X**
  - a) Clip blue lifting wedge into place - dark blue 13165 for sliding frames  
- light blue 13106 for all else
  - b) Place yellow packer 13110 on top of bottom lifting wedges
- 3) Fit glass - adjust bottom packers so glass is square in opening
- 4) Pack all other lifting wedges to ensure:
  - a) frames are straight
  - b) sashes have equal cover over frames, top to bottom & side to side
  - c) sliding doors are parallel to the frameN.B. heeling & toeing of hinged doors, casement windows, & tilt & turn windows is critical
- 5) Seal vertical packers to prevent them from slipping down
- 6) Replace beads (in the same position they came out of)
  - a) spray glass with glass cleaner to ease fitting
  - b) start with the 2 shortest beads  
using a rubber mallet as gently as possible tap bead into place starting from the ends & work to the centre
  - c) Spring the 2 longer beads into place & gently tap into placeN.B. hitting beads too hard can cause frame welds to crack
- 7) Clean glass

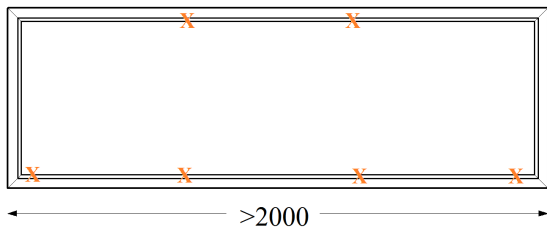


Any queries please ring: Office - 03 455 5501  
Dave - 021 24 22 033  
Simon - 021 24 22 088

# Fixed Window

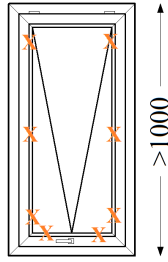
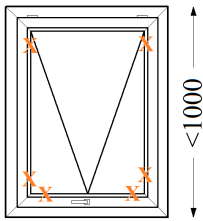


Not required for direct fixed frames

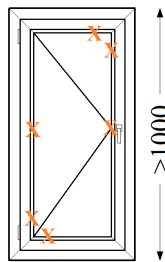
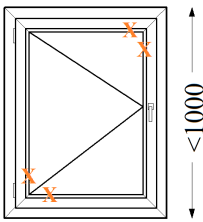


Not required for direct fixed frames

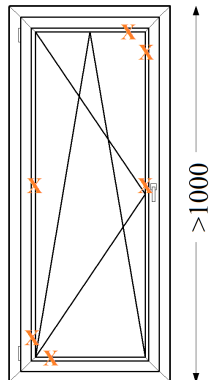
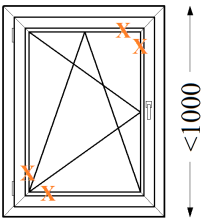
### Awning Window



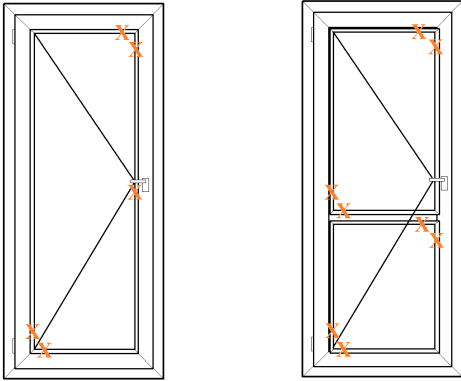
### Casement Window



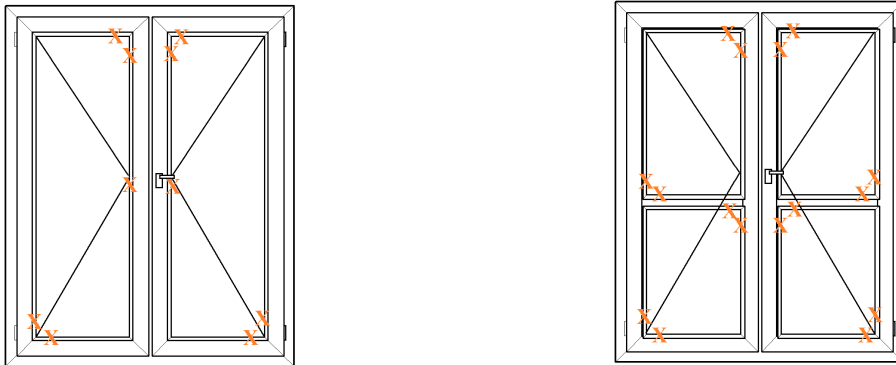
### Tilt & Turn Window



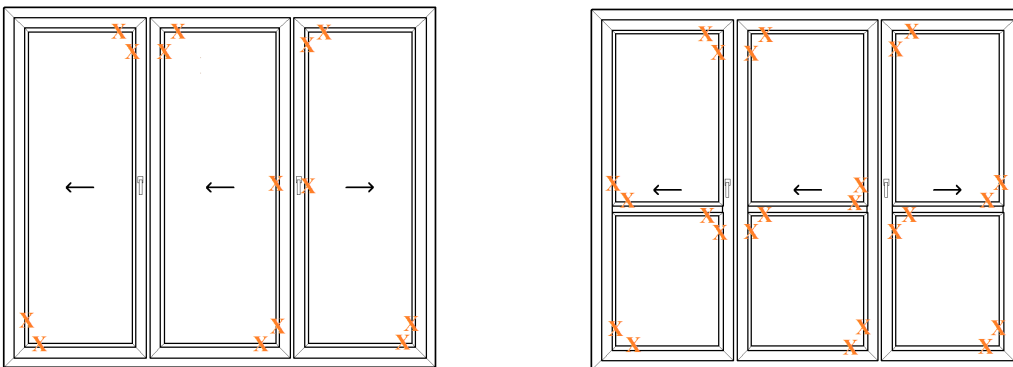
### Single Door



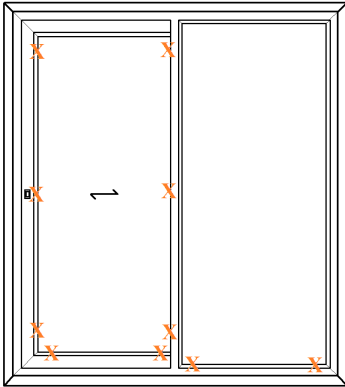
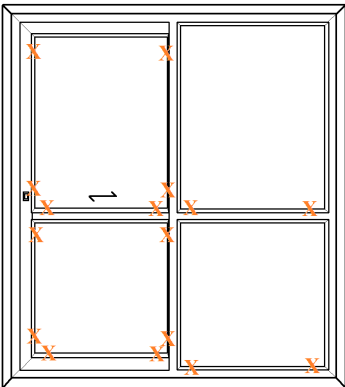
### French Door



### Bi-fold Door



Fixed Slide



Stacker Slide

